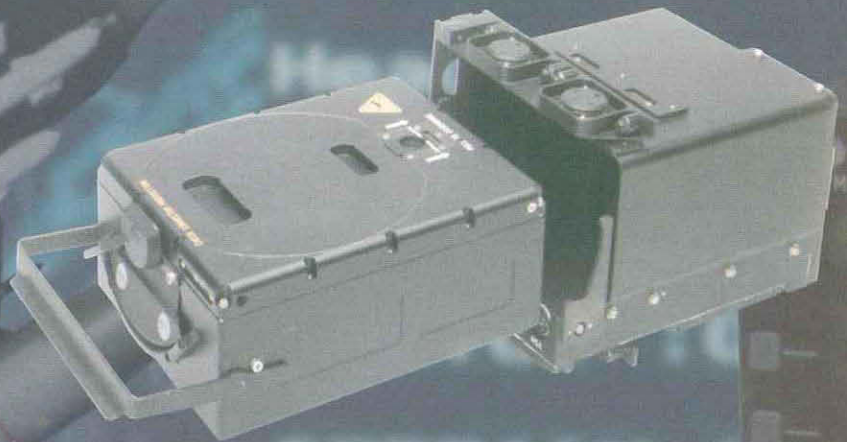


Sensor 8 High-Bandwidth Sealed Video Recorder



- *625 line 50 Hz or 525 line 60 Hz*
- *Composite or Y-C video inputs*
- *5 inch ARINC rack mounting*
- *Integral anti-vibration mounts*
- *28 volts dc operation*
- *Video bandwidth > 400 TVL (4.8 MHz)*
- *Colour or monochrome*
- *Qualified to BS3G100 and MIL-STD-810C*
- *Mass 4.25 kg*
- *Uses international 8mm format video cassettes*
- *Power 8 watts (nominal)*
- *Recording duration 90 min (50Hz) 120 min (60Hz)*

GEC-Marconi

Sensor 8 High-Bandwidth Sealed Video Recorder

The GEC-Marconi Avionics Sensor 8 High-bandwidth Sealed Video Module complements our range of standard sealed video recorders currently in service.

The Sensor 8 Module allows the recording of inherently high-bandwidth signals, such as forward-looking infra-red and near infra-red, using miniature 8mm format mechanisms and tapes. The Sensor 8 Module is mechanically and electrically compatible with existing customer equipment allowing full upgrade capability.

Video Recorder Experience

GEC-Marconi Avionics is the UK's premier military video recording company and has supplied video recording systems for the following:

- Tornado IDS and ADV • Harrier GR5
- Harrier GR7 • T-45 • Hawk 50/60 Retrofit
- A4 - Skyhawk Retrofit

Benefits of Sealed Video Recorders vs Conventional Recorders

- Reduced wear
- Improved reliability
- Improved maintainability
- Improved environmental tolerance

Options

- Extended record mode doubles tape duration
- Up to five multiplexed channels recorded
- High quality FM audio
- Non-CCIR/non-formatted recording capability
- Local or remote operation
- Local C-bit indication

GEC-Marconi

Avionics

GEC-Marconi Avionics Limited

Mission Avionics Division

1 South Gyle Crescent Edinburgh EH12 9HQ Scotland

Telephone +44 (131) 314 8183 or +44 (131) 314 8613 Facsimile +44 (131) 314 8194

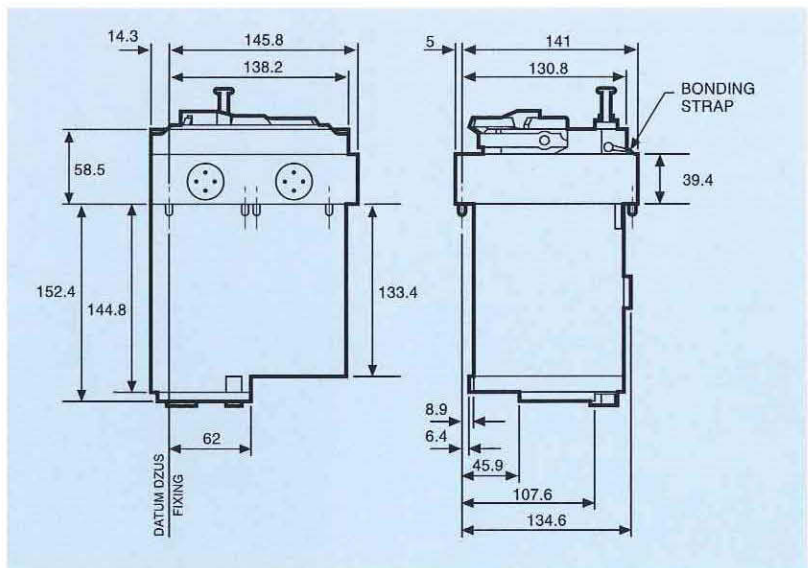
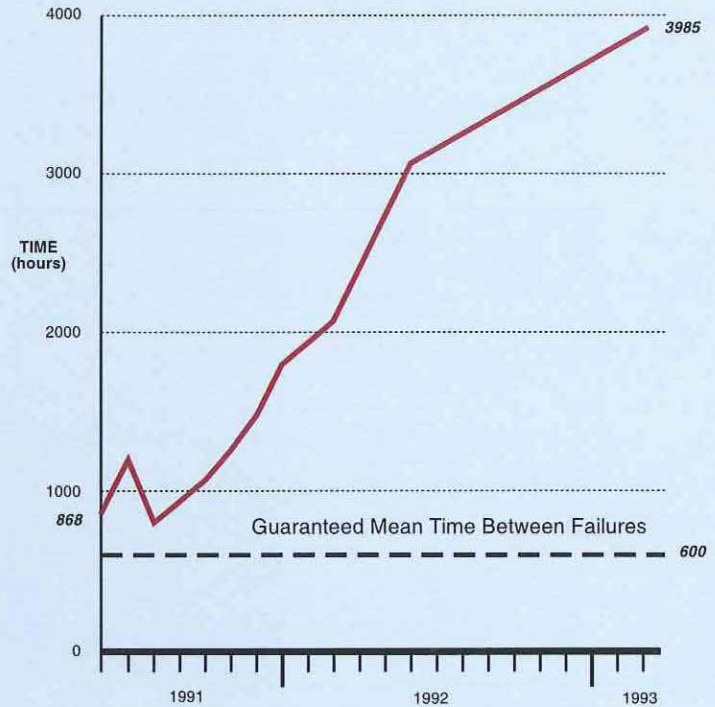
Airport Works Rochester Kent ME1 2XX. England

Telephone +44 (1634) 816123 Facsimile +44 (1634) 827332

© Copyright GEC-Marconi Limited 1997 Produced by Mission Avionics Division Technical Documentation Services MA2522

Sealed Video Recorder Reliability

Recent actual MTBF figures obtained in a highly humid environment in the Far East prove the unsurpassable reliability of sealed video recorders.



This document gives only a general description of the product(s) or services and except where expressly provided otherwise shall not form part of any contract. From time to time, changes may be made in the products or the conditions of supply.