

High Resolution Colour HUD Video Camera



The only camera specifically designed as an integral part of the GEC-Marconi Avionics F-16 C/D Head Up Display, this high performance military camera provides a color image of the pilot's forward view to allow recording for mission debriefing, aircrew training and weapon analysis.

GEC-Marconi

High Resolution Colour HUD Video Camera



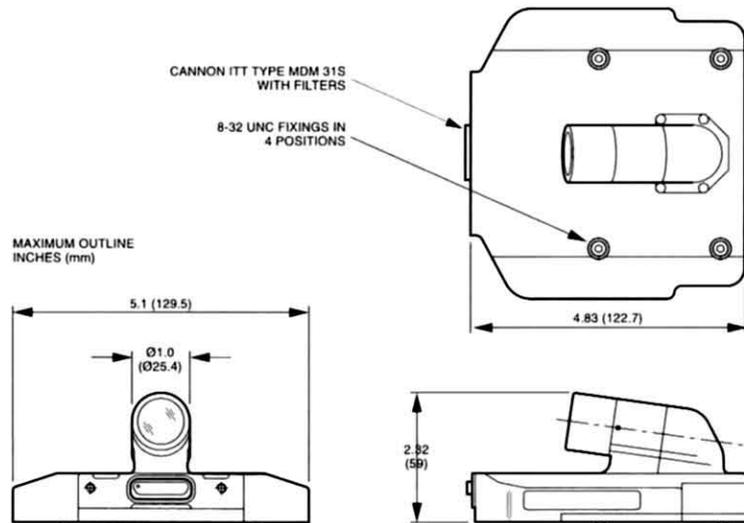
Specification

- 0.5 inch CCD color image sensor.
- 768 x 585 active pixels.
- > 450 TVL/PH horizontal resolution.
- Full performance 3 - 35,000 Cd/m².
- Useful video @ < 0.5 Cd/m².
- Exposure control by sensor integration and liquid crystal attenuator.
- Single box installation.
- 115V ac supply to MIL-STD-704A.
- Low power consumption < 10W.
- Low distortion f-theta optics.
- 21° x 16° field of view.
- Alignment to ±1mrad.
- Operating temp -40°C to +70°C.
- Qualified to MIL-STD-810C & 461B.

Options

- 525 Line/60 Hz NTSC or 625 Line/50 Hz PAL.
- Y/C or composite video output.
- 28V dc supply to MIL-STD-704D.
- External synchronisation.
- Event mark.
- Alternative field of view optics.

- Latest technology solid state sensor provides high resolution, excellent sensitivity and accurate colour.
- Drop in replacement for the existing F-16 C/D monochrome camera providing an immediate upgrade.
- No wiring changes or aircraft modifications required.
- High alignment accuracy for mounting forward of the HUD combiners.
- Field of view matched to HUD; alignment/harmonization tolerances matched exactly to HUD, giving fully interchangeable cameras
- Integrated HUD and camera system from the same supplier.
- No test equipment required - single piece, interchangeable LRU.
- Solid state exposure control with sensor integration and liquid crystal attenuator.
- Fully compatible with electronic symbology overlay, and with military recorders and multiplexers.
- Available in 525 line NTSC or 625 line PAL standard.



GEC-Marconi Avionics

GEC-Marconi Avionics Limited

Mission Avionics Division

1 South Gyle Crescent Edinburgh EH12 9HQ Scotland

Telephone +44 (131) 314 8183 or +44 (131) 314 8613 Facsimile +44 (131) 314 8194

Airport Works Rochester Kent ME1 2XX. England

Telephone +44 (1634) 816123 Facsimile +44 (1634) 827332

© Copyright GEC-Marconi Limited 1997 Produced by Mission Avionics Division Technical Documentation Services MA2549

This document gives only a general description of the product(s) or services and except where expressly provided otherwise shall not form part of any contract. From time to time, changes may be made in the products or the conditions of supply.