

## NITE-OP NIGHT VISION GOGGLES FOR AIRCREW

NITE-OP has been designed and developed specifically for aircrew, to allow them to fly their aircraft visually at night.

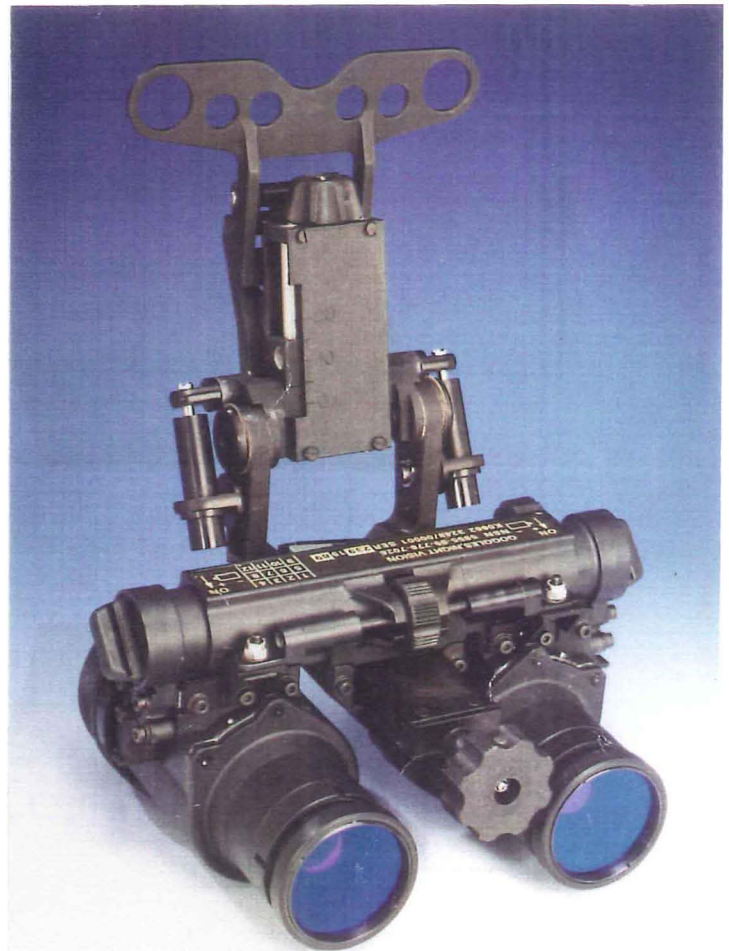
NITE-OP is currently in service with all three British armed services and a number of overseas customers.

Extensive use of new lightweight materials and plastic optical elements ensures a lightweight, extremely rugged system, with large field of view, eye relief and exit pupil.

Adjustments accommodate a wide range of aircrew eye positions and face profiles.

Integral batteries provide very high electrical reliability. There are no cables or connectors.

NITE-OP is fully compatible with a variety of aircrew helmets, respirators and NBC equipment. A face protection visor is provided as part of the NITE-OP system.



### APPLICATIONS

- ROTARY-WING AIRCRAFT
- TRANSPORT AIRCRAFT

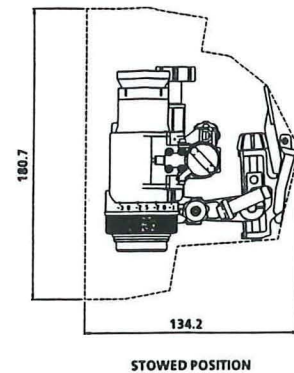
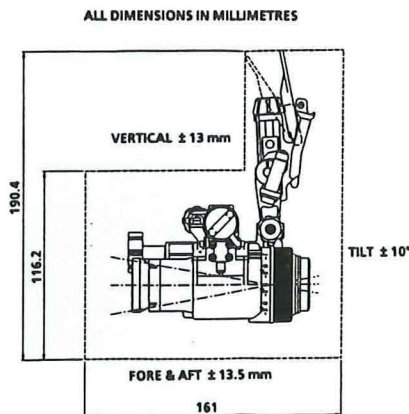
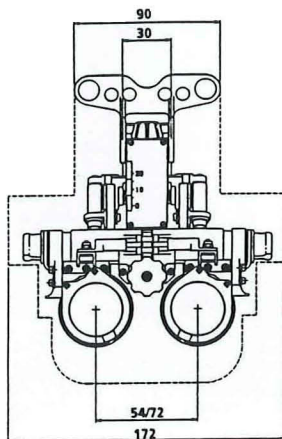
DISPLAYS DIVISION

### NITE-OP LEADING PARTICULARS

Field of View (Full circular)	: 45° at 30 mm eye relief
Exit Pupil and Eye Relief	: 10 mm at 30 mm
Weight	: 800 grams
Resolution	: 0.85 cycles per mm (typical)
Power Source	: Each channel is independently powered by a highly reliable 3.5 V, ½AA size lithium battery
Battery Endurance	: 15 hours (typical) above 0 °C 6 hours (typical) at -32 °C

### Adjustment Ranges

Vertical	: 26 mm
Fore and Aft	: 27 mm
Tilt	: 20°
Interpupillary	: 54 - 72 mm
Objective	: Fixed Focus
Eyepiece Dioptre	: +1.0 to -3.0 D



002/9307

**GEC-Marconi Avionics Inc**  
1111 Jefferson Davis Highway  
Suite 800  
Arlington, VA 22202

Telephone: 703 553 5582 Facsimile: 703 769 0121

**GEC-Marconi Avionics Limited**  
**Display Systems Group Edinburgh**  
1 South Gyle Crescent  
Edinburgh EH12 9HQ Scotland

Telephone: 0131-316 4545 Telex: 72141 Facsimile: 0131-314 8237

**GEC-Marconi**  
**AVIONICS**

© Copyright 1994

A management company for GEC-Marconi Avionics (Holdings) Limited

This document gives only a general description of the product(s) and shall not form part of any contract. From time to time changes may be made in the product(s) or in the conditions of supply.