

NIGHTBIRD NIGHT VISION GOGGLES FOR AIRCREW

The NIGHTBIRD NVG is a variant of NITE-OP, designed specifically for fast-jet applications. In addition to having outstanding attributes of all NITE-OP NVG, NIGHTBIRD has two key technologies integrated into the system to allow full compatibility with the fast-jet aircraft.

- **HEAD UP DISPLAY COMPATIBILITY**

The NIGHTBIRD optics are designed to allow HUD symbology to be viewed through the NVG. In aircraft equipped with forward looking infra-red (FLIR) and raster/cursive HUDs, this feature allows "Sensor Fusion" of both images giving dual band viewing.

- **AUTOMATIC DETACHMENT ON EJECTION**

To ensure that the goggles are not on the head during ejection, an auto-detach mechanism has been designed and fully qualified. Auto-detach allows the goggles to be released from the head typically 4 milliseconds after initiation of ejection.

NIGHTBIRD is in full production for the Royal Air Force Harrier GR7, Tornado and Jaguar aircraft.

APPLICATIONS

- **FAST-JET AIRCRAFT**



Photograph by courtesy of British Aerospace (Military Aircraft) Limited

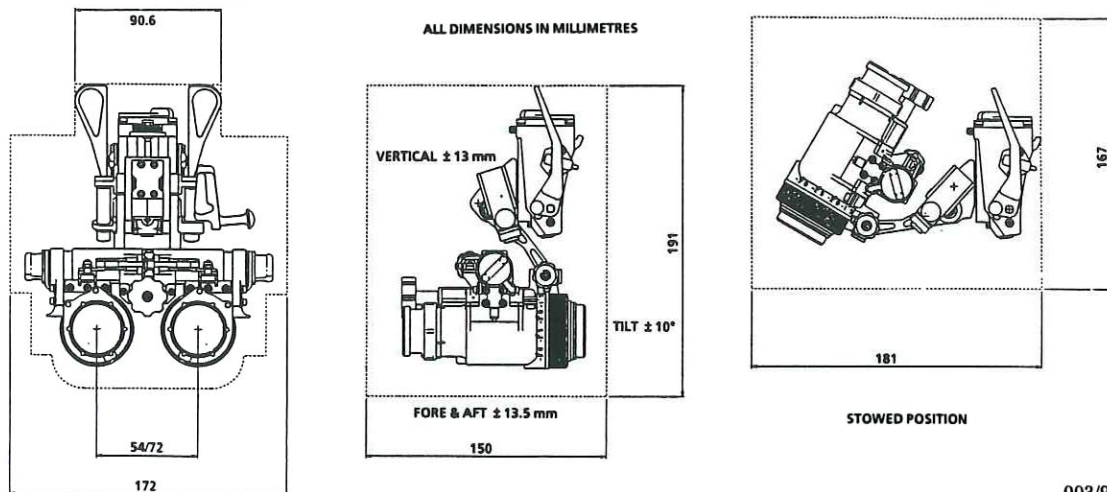
DISPLAYS DIVISION

NIGHTBIRD LEADING PARTICULARS

Field of View (Full circular)	: 45° at 30 mm eye relief
Exit Pupil and Eye Relief	: 10 mm at 30 mm
Weight	: 815 grams
Resolution	: 0.85 cycles per mm (typical)
Power Source	: Each channel is independently powered by a highly reliable 3.5 V, $\frac{1}{2}$ AA size lithium battery
Battery Endurance	: 15 hours (typical) above 0 °C 6 hours (typical) at -32 °C

Adjustment Ranges

Vertical	: 26 mm
Fore and Aft	: 27 mm
Tilt	: 20°
Interpupillary	: 54 - 72 mm
Objective	: Fixed Focus
Eyepiece Dioptre	: +0.5 to -2.1 D



003/9307

GEC-Marconi Avionics Inc
1111 Jefferson Davis Highway
Suite 800
Arlington, VA 22202

Telephone: 703 553 5582 Facsimile: 703 769 0121

GEC-Marconi Avionics Limited
Display Systems Group Edinburgh
1 South Gyle Crescent
Edinburgh EH12 9HQ Scotland

Telephone: 0131-316 4545 Telex: 72141 Facsimile: 0131-314 8237

GEC-Marconi
AVIONICS